

# PRICE COMPUTING SCALES

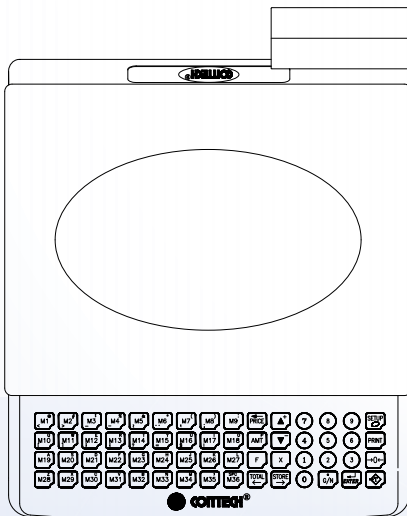
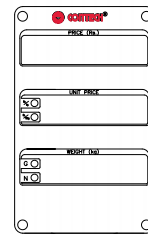
1g to 35Kg

- ♦ Can store price of items with their names (up to 500 nos)
- ♦ Bill printing facility.
- ♦ Facility to price addition for pre-packed items.
- ♦ Facility to enter shop name and address.
- ♦ Per kg or per 100g rate selection.
- ♦ Facility to accumulate transaction data.
- ♦ Computes total sales of all items along with their weights.
- ♦ Date and Time entry facility.
- ♦ Tactile keyboard making it dust & moisture resistant for long lasting and reliable operation.
- ♦ Different displays for weight, unit price and total price.
- ♦ Display on both sides on the pole.
- ♦ Mini Printer & Label Printer (Optional)
- ♦ Bright LED display.
- ♦ RS-232 interface to connect to a computer / printer.
- ♦ Audio visual overload indication.
- ♦ Optional battery backup.

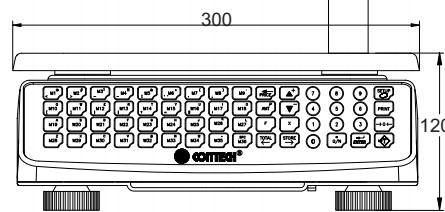


## Specifications :

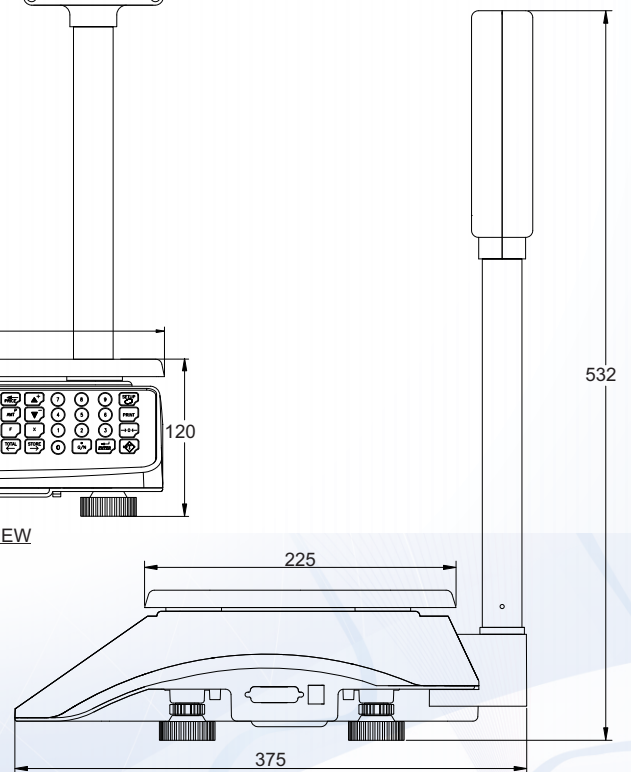
Models	CTC-30K1	CTC-30K2	CTP-35K5
Capacity	30kg	30kg	35kg
Readability	1g	2g	5g
Repeatability(+)	1g	2g	5g
Linearity (+)	2g	2g	5g
Pan Size (mm)	225x300	225x300	225x300



TOP VIEW



FRONT VIEW



R.H. SIDE VIEW

Taring Range : Up to full capacity  
 Response time : 3-5 secs  
 Power Req : 90-250V, 50/60Hz, 10 Watt  
 Operating Temperature : 10 to 45 deg C

All Specifications and designs are subject to change for improvement.