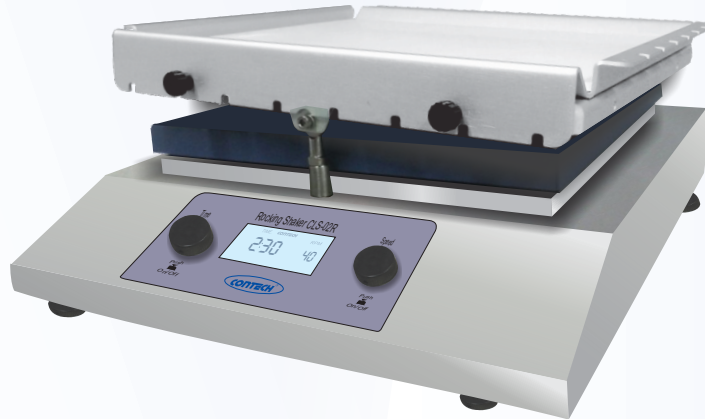


Rocking Shaker CLS-02R

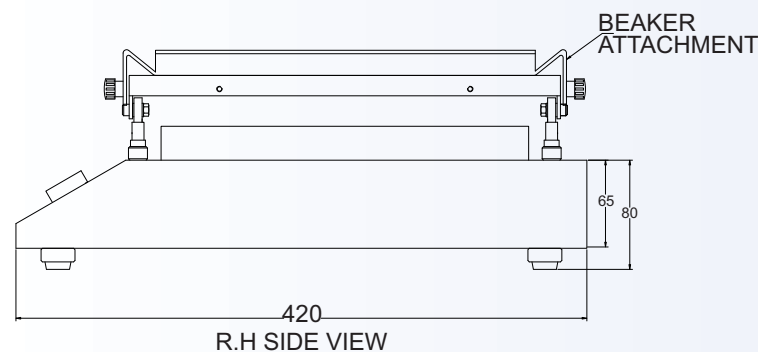
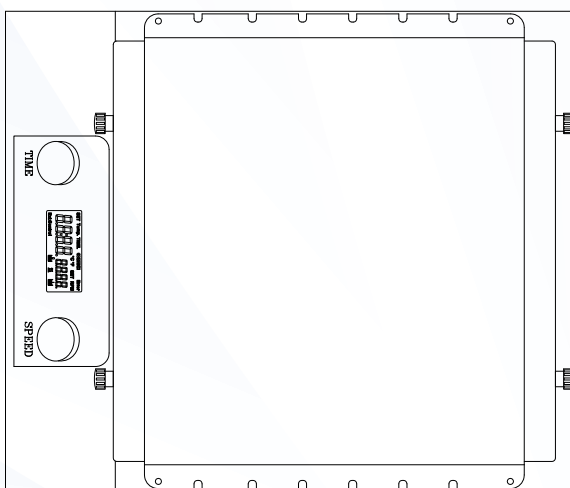
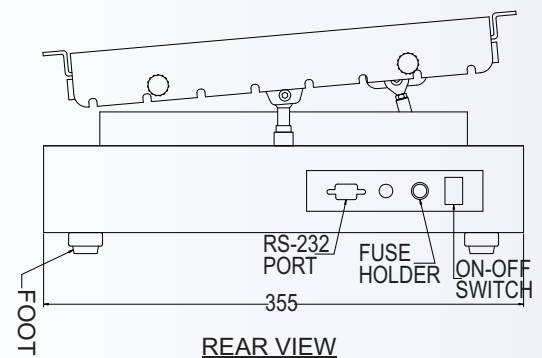
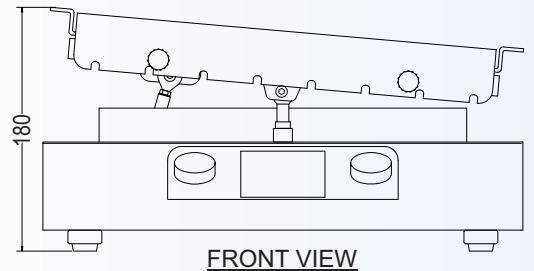


Features :

- ▶ See-Saw rocking motion.
- ▶ Speed & time adjustment.
- ▶ Backlite display for viewing speed & time.
- ▶ Platform options for different types of glasswears.
- ▶ Designed for continuous or time based operation.
- ▶ DC motor for reliable operation.

Specifications :

- ▶ Tilt angle : 9 degree
- ▶ Maximum Load Capacity with platform : 10kg
- ▶ Speed Range : 10-70rpm
- ▶ Time setting range : 1~1200min.
- ▶ Dimension (mm) : 355 (W) x 420 (L) x 180 (H)
- ▶ Weight : 10kg
- ▶ Power supply : 100~250 V AC, 50/60 Hz, 50 Watt



All Specifications and designs are subject to change for improvement.