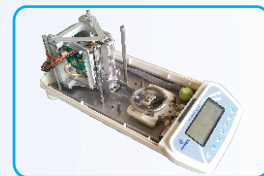


ANALYTICAL (Indirect Loading) BALANCES

0.00001g to 300g

CONTECH High Precision Balances incorporate advanced Electro Magnetic Force Compensation (EMFC) technology for offering unmatched accuracy and reliability, coupled with unique ADC circuit with inbuilt temperature compensation to offer a very high stability upto a resolution of 6 million counts. All adjustment parameters are programmable to take care of any minor mismatch of different sub assemblies & Balances are configured with these parameters.



Advanced EMFC Transducer

Standard Features

Backlite LCD Display

Customized, large, attractive LCD with multiparameter display illuminated by white backlite.

Bi directional RS 232 interface

RS 232 port with selectable baud rate 4800,9600. Various interface formats adopting this Balance in a setup to replace any other leading international brand Balance. Can be configured for a USB interface using optional RS 232 to USB converter.

GSM function

GSM function for paper & cloth quality checking.

Multiple Weighing Units

Grams, Ounces, Troy Ounces, Carats, Mommies, Pennyweights, Grains, tola, Mesghal, Chinese taels.

Percentage Weighing

Display of Reference weight, sample weight, % of sample with respect to reference weight

Piece Counting

Parts calibration using preset quantity of samples or programmable quantity. Automatic count correction for precise calibration.

Fill Mode

1 set point - Indication when sample weight exceeds the set limit.
2 set points - Indication when the sample weight is between the lower & upper limits.

Accumulation

Storage of maximum 200 samples.

Multiple Printing Mode

0,1,2,3 modes for various formats.Pause in case data storage capacity in a Printer is less.

External Calibration

Using preset weights.
Known weights can be corrected to ± 15 counts.

Response Time:

User selectable - Slow / Normal /Fast.

Stability Band Width

Stability indicator appears on display with counts variation $\pm 1, \pm 2, \pm 3, \pm 4$.

Auto Zero Tracking

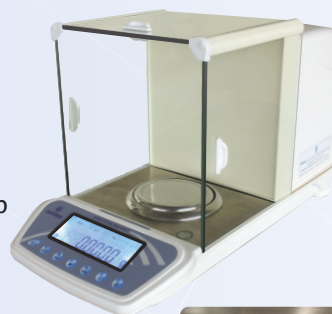
User selectable 0,1,2,3

Return to Zero Tracking

Variable: 0,1,2,3,4

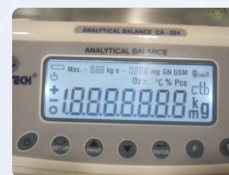
Display Updation

Speed setting : Fast / Normal.

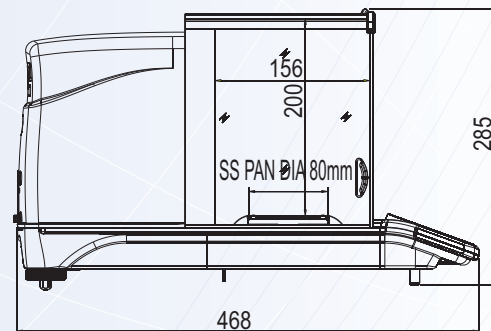
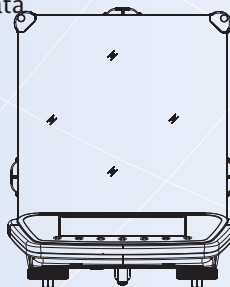
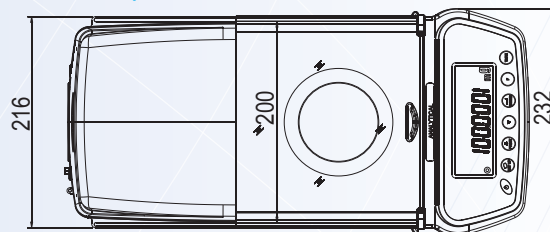


POWER SUPPLY RS 232 PORT

LEVELING FEET



Customized, large, attractive LCD with Multiparameter display illuminated by white backlite



Indirect Loading Analytical / Semi Micro Balances without motorized internal calibration

Models	CAS-44	CAS-84	CAS-164	CAS-234	CAS-304
Capacity	40g	80g	160g	230g	300g
Readability	0.0001g	0.0001g	0.0001g	0.0001g	0.0001g
Repeatability (+)	0.1mg	0.1mg	0.2mg	0.2mg	0.2mg
Linearity (+)	0.2mg	0.2mg	0.4mg	0.4mg	0.4mg
Pan Size(mm)	100	100	100	100	100

The balance is supplied with Breeze shield as standard.

Indirect Loading Analytical / Semi Micro Balances with motorized internal calibration

Models	CAI-35	CAI-44	CAI-84	CAI-164	CAI-234	CAI-304
Capacity	30g	40g	80g	160g	230g	300g
Readability	0.00001g	0.0001g	0.0001g	0.0001g	0.0001g	0.0001g
Repeatability (+)	0.03mg	0.1mg	0.1mg	0.2mg	0.2mg	0.2mg
Linearity (+)	0.05mg	0.2mg	0.2mg	0.4mg	0.4mg	0.4mg
Pan Size(mm)	100	100	100	100	100	100

The balance is supplied with Breeze shield & Internal motorized calibration as standard.

Specifications :

Taring Range : Up to full capacity
Response time : 3-5 seconds
Power Req : 90-250V, 50/60Hz, 10 Watt
Operating Temperature : 10 to 45 deg C

All Specifications and designs are subject to change for improvement.

Optional Features

- ♦ Motorized internal calibration.
- ♦ RS 232 to USB interface converter.
- ♦ ISO GLP compliance.
- ♦ Real time clock (RTC).
- ♦ Density determination kit.
- ♦ Weigh below hook for density determination.
- ♦ Yarn count with temperature compensation.
- ♦ Denier measurement for silk & synthetic yarn.
- ♦ Cocoon assessment with statistical analysis for cocoons.
- ♦ Software for SQC (Statistical Quality Control) for Pharmaceutical Industries.

SEMI MICRO / ANALYTICAL BALANCES with Density Attachment

0.00001g to 300g

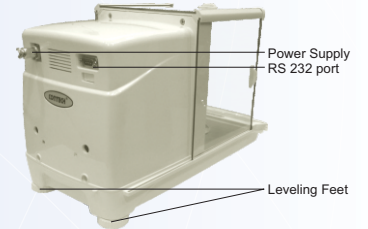
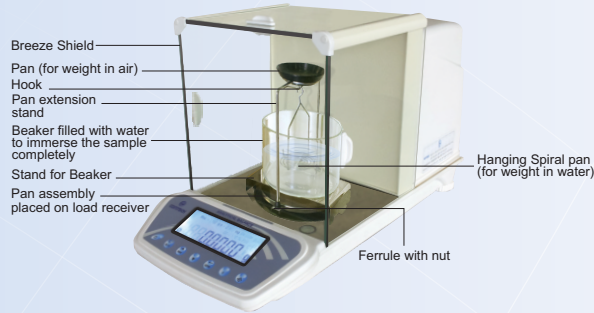
CONTECH High Precision Balances incorporate advanced Electro Magnetic Force Compensation (EMFC) technology for offering unmatched accuracy and reliability, coupled with unique ADC circuit with inbuilt temperature compensation to offer a very high stability upto a resolution of 6 million counts. All adjustment parameters are programmable to take care of any minor mismatch of different sub assemblies & Balances are configured with these parameters.



Advanced EMFC Transducer



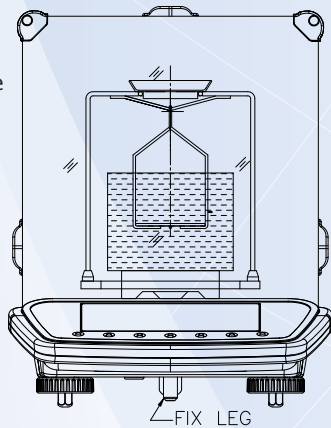
Customized, large, attractive LCD with Multiparameter display illuminated by white backlight



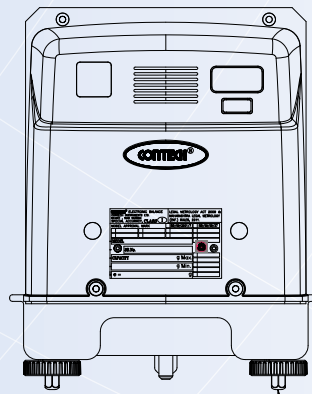
- ◆ Density Determination Kit is available in 2 types one to be mounted on the pan and the other type is with attachment for weigh below the balance. Density Determination Kit consists density weighing pan assembly, stainless steel base for beaker, glass beaker, optional sinker for testing materials having density less than water and software (program) for density determination.
- ◆ Facility for programming density of liquid (other than water) and temperature of water.
- ◆ In case of multiple samples, storage of all the sample weights in air first and then in water, viewing of density of individual samples one by one on the display.
- ◆ Determination of density of liquid samples (Optional).
- ◆ Determination of air release value for oil samples (Optional).

Standard Features

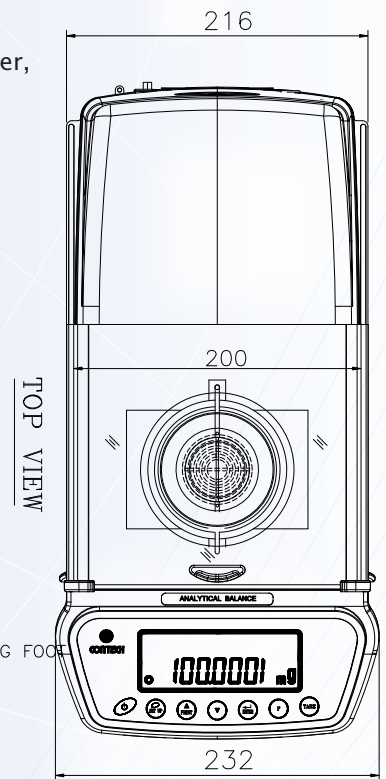
- Backlite LCD Display
- Bi directional RS 232 interface
- GSM function
- Multiple Weighing Units
- Percentage Weighing
- Piece Counting
- Fill Mode
- Accumulation
- Multiple Printing Mode
- External Calibration
- Response Time
- Stability Band Width
- Auto Zero Tracking
- Return to Zero Tracking
- Display Updation



FRONT VIEW



REAR VIEW



TOP VIEW

Indirect Loading Analytical / Semi Micro Balances without motorized internal calibration

Models	CAS-44	CAS-84	CAS-164	CAS-234	CAS-304
Capacity	40g	80g	160g	230g	300g
Readability	0.0001g	0.0001g	0.0001g	0.0001g	0.0001g
Repeatability (+)	0.1mg	0.1mg	0.2mg	0.2mg	0.2mg
Linearity (+)	0.2mg	0.2mg	0.4mg	0.4mg	0.4mg
Pan Size(mm)	100	100	100	100	100

The balance is supplied with Breeze shield as standard.

Indirect Loading Analytical / Semi Micro Balances with motorized internal calibration

Models	CAI-35	CAI-44	CAI-84	CAI-164	CAI-234	CAI-304
Capacity	30g	40g	80g	160g	230g	300g
Readability	0.00001g	0.0001g	0.0001g	0.0001g	0.0001g	0.0001g
Repeatability (+)	0.03mg	0.1mg	0.1mg	0.2mg	0.2mg	0.2mg
Linearity (+)	0.05mg	0.2mg	0.2mg	0.4mg	0.4mg	0.4mg
Pan Size(mm)	100	100	100	100	100	100

The balance is supplied with Breeze shield & Internal motorized calibration as standard.

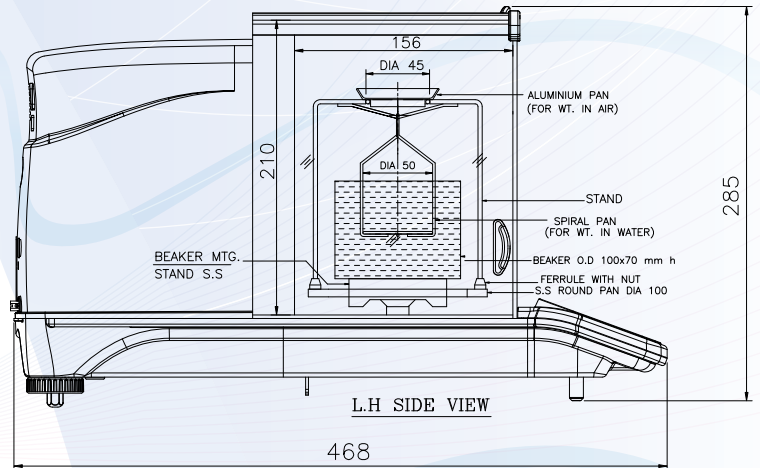
Specifications :

- Taring Range : Up to full capacity
- Response time : 3-5 seconds
- Power Req : 90-250V, 50/60Hz, 10 Watt
- Operating Temperature : 10 to 45 deg C

Optional Features

- ◆ Motorized internal calibration.
- ◆ RS 232 to USB interface converter.
- ◆ ISO GLP compliance.
- ◆ Real time clock (RTC).
- ◆ Weigh below hook for density determination.

All Specifications and designs are subject to change for improvement.



L.H SIDE VIEW