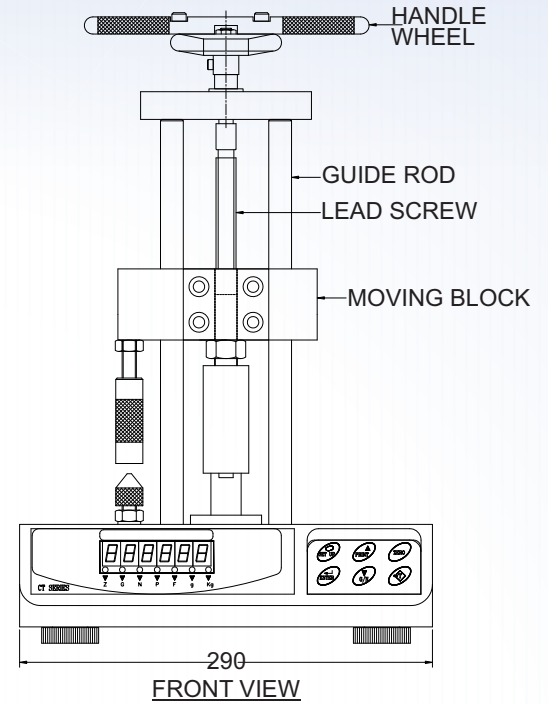


DIGITAL SPRING TESTER



Contech Spring tester is used for checking the spring in tension & compression modes.

Features :

- ▶ Measures compression (push) or tension (pull) forces.
- ▶ Operates on electrical power/battery.
- ▶ Rs232 serial interface for computer connection.
- ▶ Capacity : upto 30Kgf
- ▶ Units : Kg-cm/N-m
- ▶ Universal, compression & tension type.
- ▶ Accuracy : $\pm 0.5\%$
- ▶ Accessories : compression pad or tension hooks.
- ▶ Peak hold function.
- ▶ Bright LED display.
- ▶ Display : Force & deflection.
- ▶ Calibration facility.
- ▶ Force applying through rotating wheel.
- ▶ Storage facility for 100 data.

