

# CRANE SCALES

2kg to 60kg

(60Kg)

## STANDARD CRANE SCALES (CCS)

### Features :

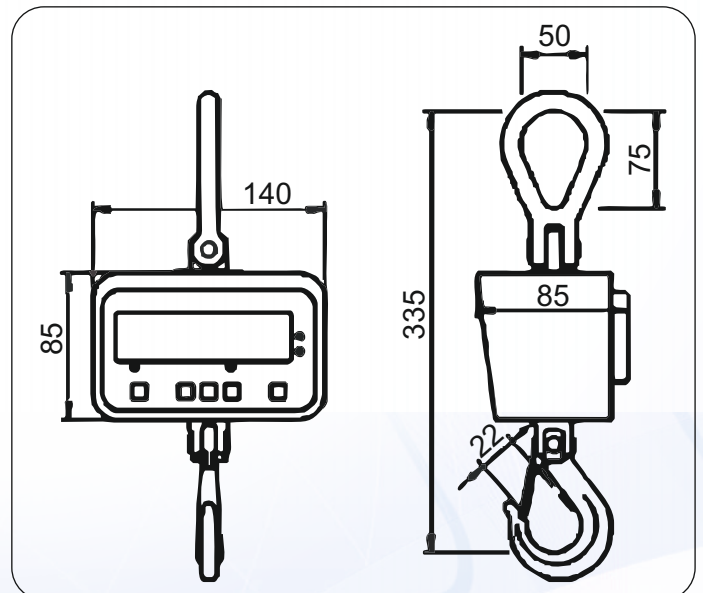
- ♦ Poly carbonate extremely robust, light weight impact resistant enclosure.
- ♦ 25 mm height LED display
- ♦ Maximum safety overload 200%.
- ♦ Inbuilt sealed maintenance free re-chargeable battery & Battery charger.
- ♦ RF Keyboard (Optional).
- ♦ RS -232 Interface.



### Common Specifications :

MODELS	CAPACITY	ACCURACY	DIMENSION					NET WT. (Kg)
			H	A	B	C	D	
CCS-60K10	60Kg	2Kg	335	50	75	22	600	4.2

\* Dimensions and net weight vary with different overload capacity.



Taring Range : Up to full capacity  
Response time : 5 seconds  
Power Req : 90-250V, 50/60Hz, 10 Watt  
Operating Temperature : 10 to 45 deg C

All Specifications and designs are subject to change for improvement.