

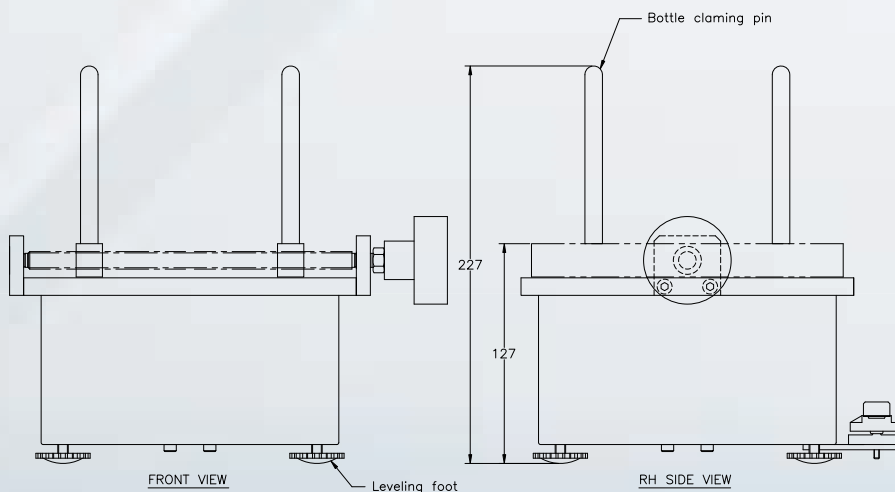
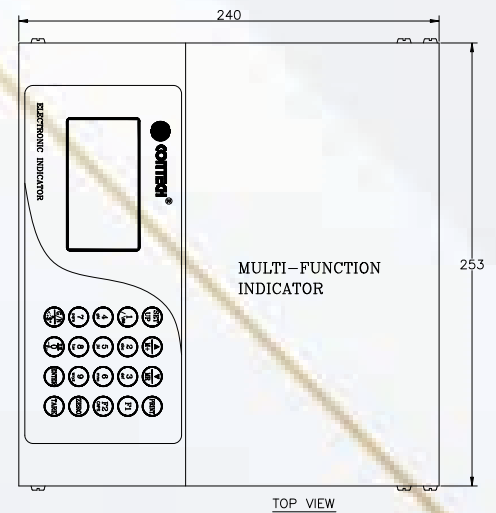
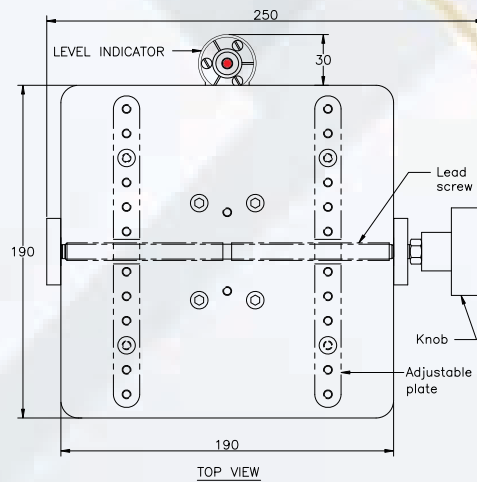
BOTTLE CAP TORQUE TESTER (CBT-20K100)



Contech bottle torque tester is used for measuring the torque required to open the cap of bottles.

Features :

- ▶ Operates on electrical power/battery.
- ▶ RS232 serial interface for computer connection.
- ▶ Capacity : 0~20Kgcm / 5 N-m
- ▶ Units : Kg-cm/N-m
- ▶ Bottle diameter : upto 200mm
- ▶ Accuracy : $\pm 1\%$
- ▶ Over load safety.
- ▶ Peak hold function.
- ▶ Backlite LCD display.
- ▶ Calibration facility (Optional).
- ▶ Storage facility for 100 data.



CONTECH[®]
Instruments Ltd.
 AN ISO 9001,14001 & 45001 COMPANY
Where innovation never stops.....

301, Punit Indl. Premises, Turbhe Naka, Navi Mumbai - 400 705.
 Tel. : +91 22 6139 3000 (100 lines)
 E-mail : sales@contechindia.in
 Website: www.contechindia.com



Plot No. EL-221 TTC Indl. Area, MIDC (Electronic Zone),
 Mhape, Navi Mumbai - 400 710.