

## RETAIL SCALES

1g to 35Kg

- ♦ Bright LED display.
- ♦ Clear and bright extra display for customer viewing at a distance.
- ♦ 100% tare facility.
- ♦ Net and Gross weight indication.
- ♦ Accumulation of weights in memory.
- ♦ RS-232 interface to connect to a computer / printer.
- ♦ Audio visual overload indication.
- ♦ Optional battery backup.

Models	CT-30K1	CT-30K2	CT-35K2
Capacity	30kg	30kg	35kg
Readability	1g	2g	2g
Repeatability(+/-)	1g	2g	2g
Linearity (+/-)	2g	2g	2g
Pan Size (mm)	225x300	225x300	225x300

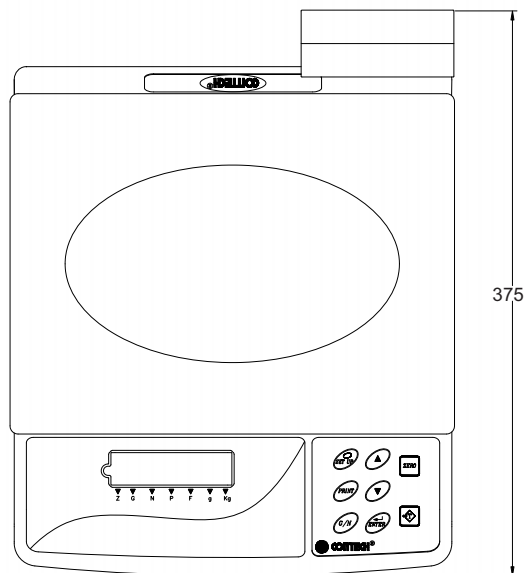
### Specifications :

Taring Range : Up to full capacity

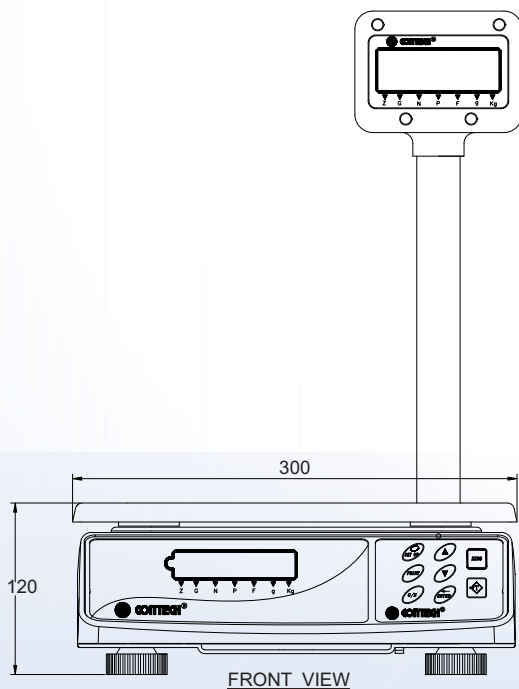
Response time : 3-5 secs

Power Req : 90-250V, 50/60Hz, 10 Watt

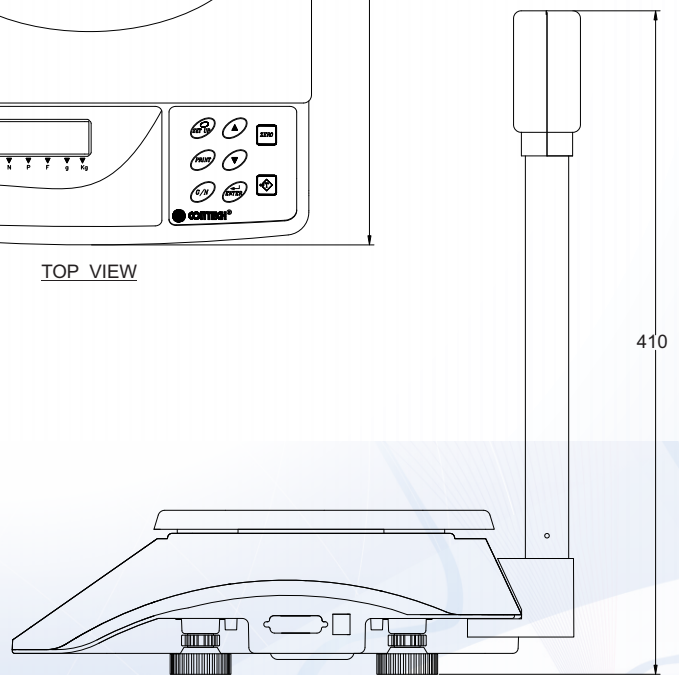
Operating Temperature : 10 to 45 deg C



TOP VIEW



FRONT VIEW



All Specifications and designs are subject to change for improvement.