

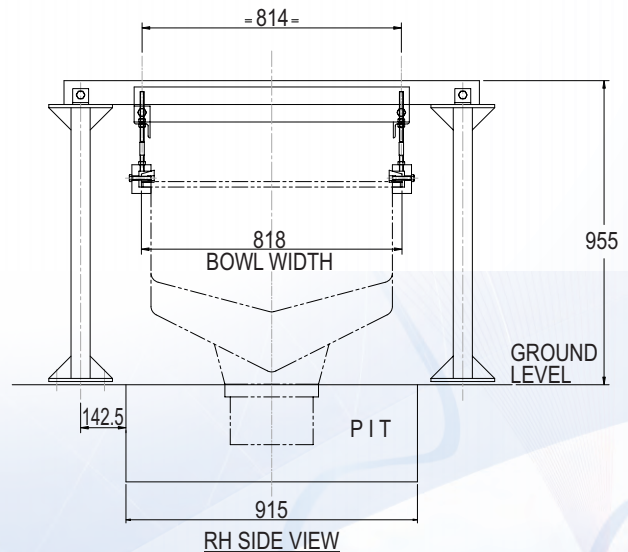
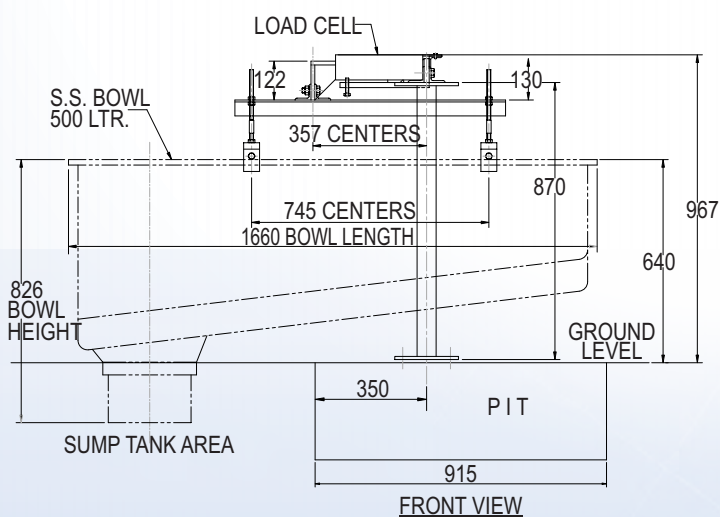
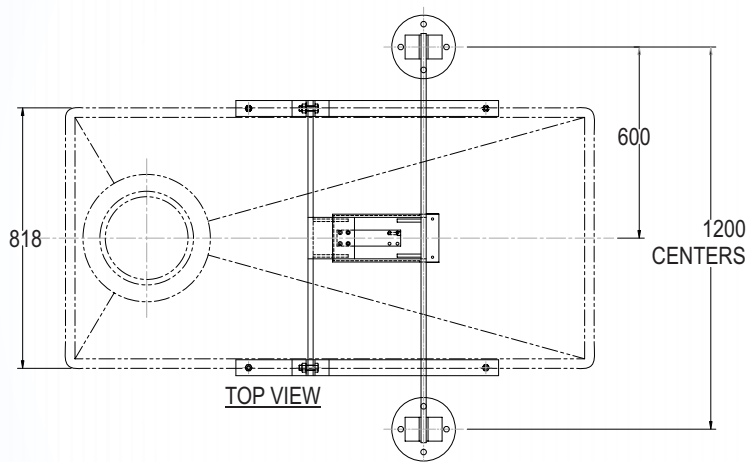
# SCALES FOR SPECIAL APPLICATIONS

## MILK BOWL WEIGHING SYSTEMS

100 g - 500 kg

- ◆ Platform Scales for small milk collection centers and Bowl type scales for big Dairy Farms.
- ◆ Programmable conversion factor for kilograms to litre.
- ◆ RS-232 for computer interface.
- ◆ Rugged construction to withstand rough usage in dairy farms.
- ◆ Optional stainless steel construction.
- ◆ Optional stainless steel bowl in S.S.304.

<b>Model</b>	300K100	500K100
<b>Capacity</b>	300 kg	500 kg
<b>Accuracy</b>	100 g	100 g



All Specifications and designs are subject to change for improvement.



**CONTECH<sup>®</sup>**  
**Instruments Ltd.**  
 AN ISO 9001, 14001 & OHSAS 18001 COMPANY  
*Where innovation never stops.....*

301, Punit Indl. Premises, Turbhe Naka, Navi Mumbai - 400 705.  
 Tel. : +91 22 6139 3000 (100 lines)  
 Fax : +91 22 2761 8421  
 E-mail : [info@contechindia.in](mailto:info@contechindia.in) / [sales@contechindia.in](mailto:sales@contechindia.in)  
 Website: [www.contechindia.com](http://www.contechindia.com)

