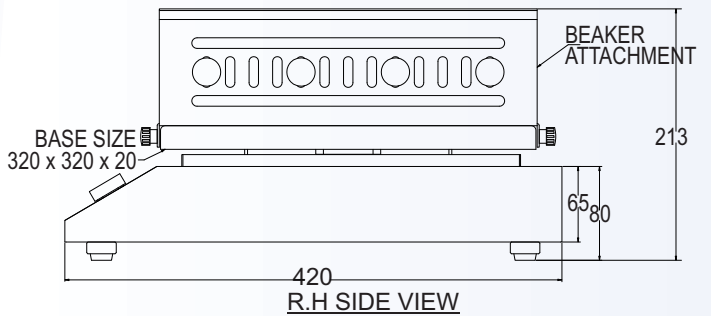
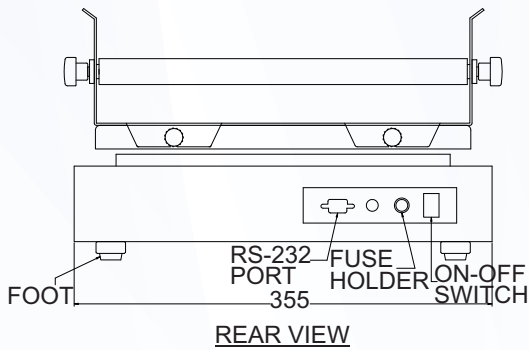
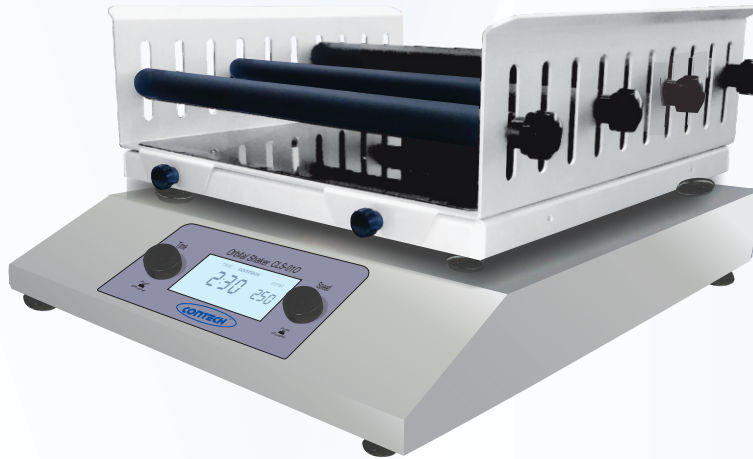


Orbital Shaker CLS-010



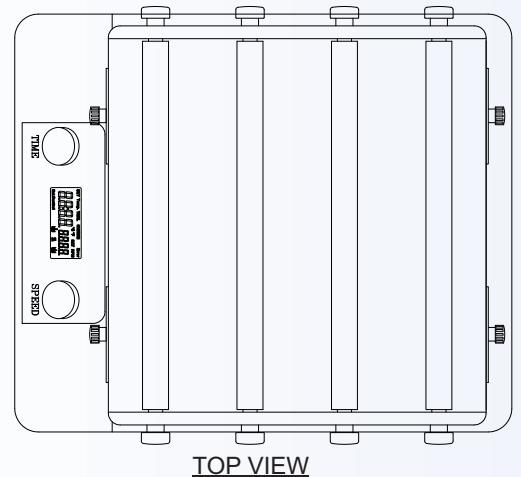
Features :

- ▶ Orbital Shaker.
- ▶ Speed & time adjustment.
- ▶ Backlite display for viewing speed & time.
- ▶ Platform options for different types of glasswears.
- ▶ Brushless DC motor for maintenance free operation & long life.
- ▶ Overspeed protection.
- ▶ Designed for continuous or time based operation.

Specifications :

- ▶ Orbital Dimension : 10mm
- ▶ Maximum load with platform : 7.5 kg
- ▶ Speed Range : 100-500 rpm
- ▶ Time : 1~1200min.

- ▶ Dimension (mm) : 355 (W) x 420 (L) x 215 (H)
- ▶ Weight : 15kg
- ▶ Power supply : 100~250 V AC, 50/60 Hz, 30 Watt



All Specifications and designs are subject to change for improvement.