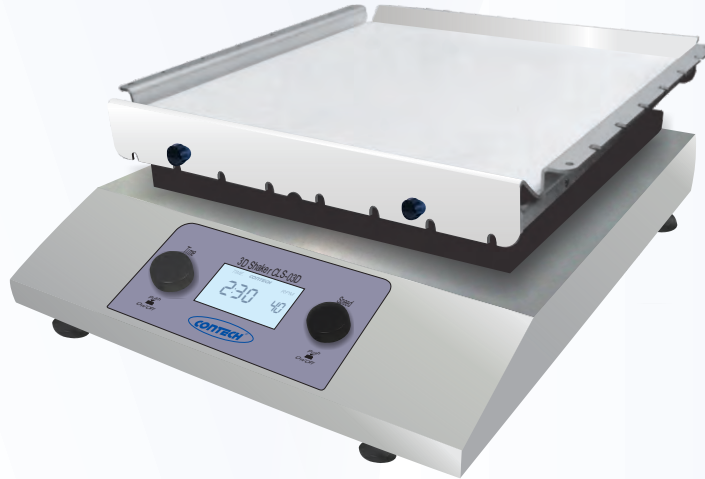


3D Shaker CLS-03D

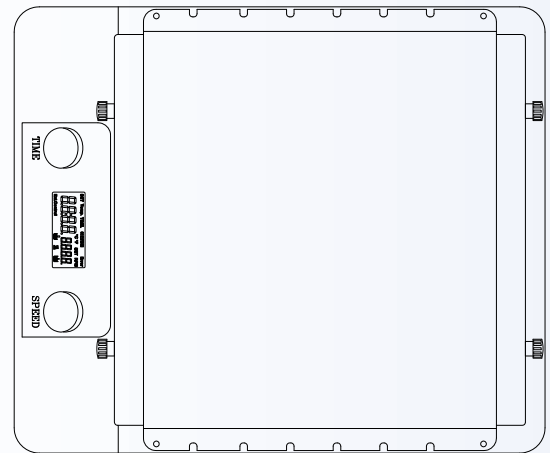


Features :

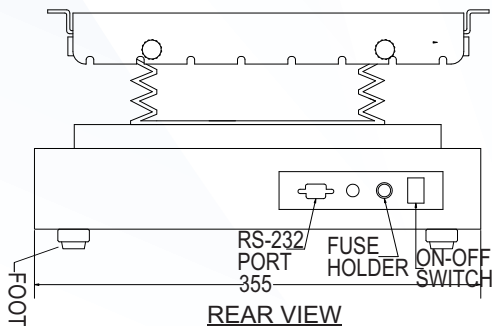
- ▶ Gentle three dimensional motion shaker.
- ▶ Speed & time adjustment.
- ▶ Backlite display for viewing speed & time.
- ▶ Platform options for different types of glasswears.
- ▶ Designed for continuous or time based operation.
- ▶ DC motor for reliable operation.

Specifications :

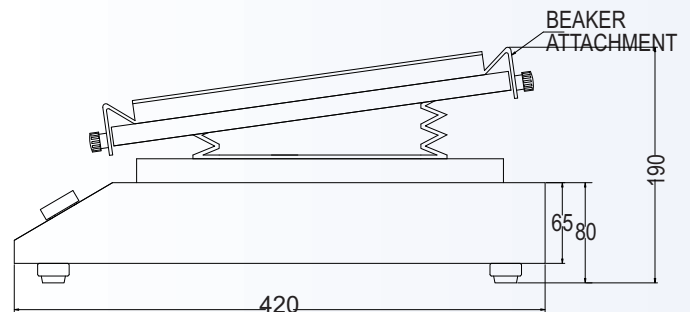
- ▶ Tilt angle : 9 degree
- ▶ Maximum Load Capacity : 5kg
- ▶ Speed Range : 10-70rpm
- ▶ Time setting range : 1~1200min.
- ▶ Dimension (mm) : 355 (W) x 420 (L) x 190 (H)
- ▶ Weight : 10kg
- ▶ Power supply : 100~250 V AC, 50/60 Hz, 50 Watt



TOP VIEW



REAR VIEW



R.H SIDE VIEW

All Specifications and designs are subject to change for improvement.



CONTECH[®]
Instruments Ltd.
AN ISO 9001, 14001 & OHSAS 18001 COMPANY
Where innovation never stops.....

301, Punit Indl. Premises, Turbhe Naka, Navi Mumbai - 400 705.
Tel. : +91 22 6139 3000 (100 lines)
Fax : +91 22 2761 8421
E-mail : info@contechindia.in / sales@contechindia.in
Website: www.contechindia.com

