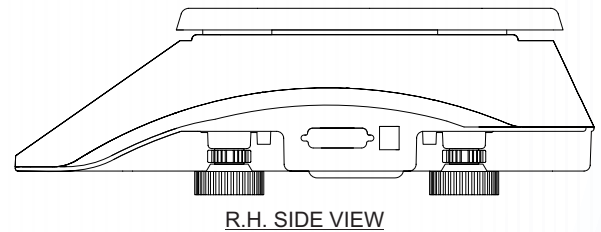
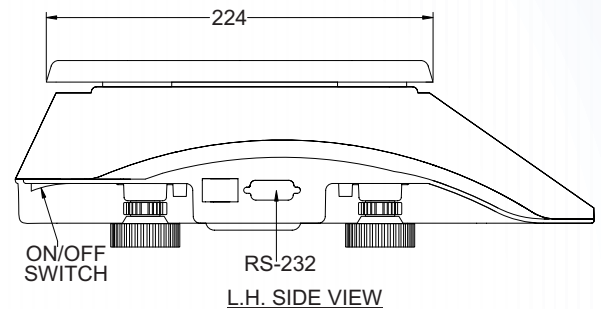


TABLE TOP SCALES

0.1g to 35Kg

Features :

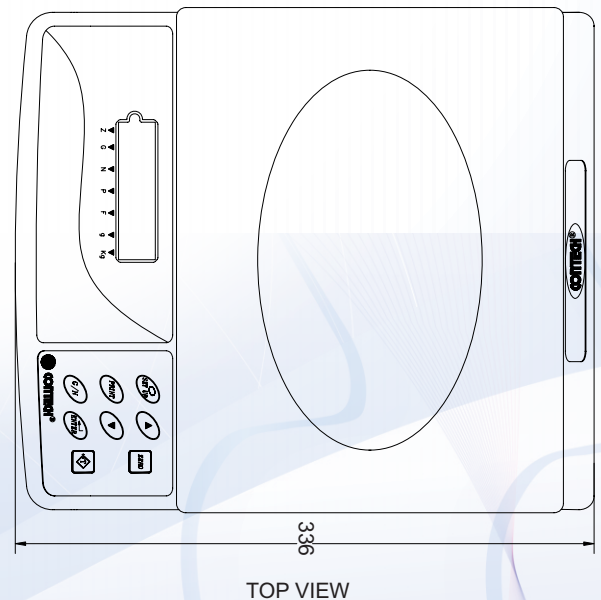
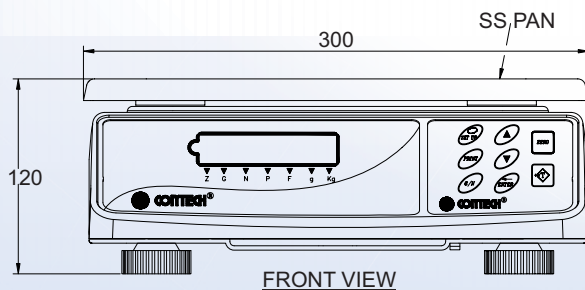
- ◆ Incorporate high quality loadcells.
- ◆ Multiple weighing units, Gram, Kilo gram, carat, litre, pound.
- ◆ Piece counting facility, upto 25 different types
- ◆ Storage of weights in memory and printing, upto 100 weights.
- ◆ Power saving mode.
- ◆ Bi-directional RS232 interface to connect with computers and printers.
- ◆ Set point facility up to 2 limits with relay output (potential free contacts) - optional.
- ◆ Auto power off.
- ◆ Peak hold facility (Optional).
- ◆ Date and time facility.
- ◆ Multiple print options with Sr. No, date, time and weight in horizontal/vertical mode.
- ◆ Automatic zero tracking.
- ◆ User selectable Tare/Zero mode option with Net/gross facility for minimum use.
- ◆ Overload & Shock load Protection.
- ◆ Bright LED display, high Bright Green LED display (optional).
- ◆ Battery backup (optional). Rechargeable sealed maintenance free battery.
- ◆ Additional display (optional).



Specifications :

Models	CTH-15001	CTH-30001	CTH-30002	CTH-35001	CT-30K1	CT-35K2
Capacity	15kg	30kg	30kg	35kg	30kg	35kg
Readability	0.1g	0.1g	0.2g	0.1g	1g	2g
Linearity (+)	0.2g	0.2g	0.4g	0.2g	2g	5g
Pan Size (mm)	225 x 300	225 x 300	225 x 300	225 x 300	225 x 300	225 x 300

Taring Range : Up to full capacity
 Response time : 3-5 secs
 Power Req : 90-250V, 50/60Hz, 10 Watt
 Operating Temperature : 10 to 45 deg C



All Specifications and designs are subject to change for improvement.