

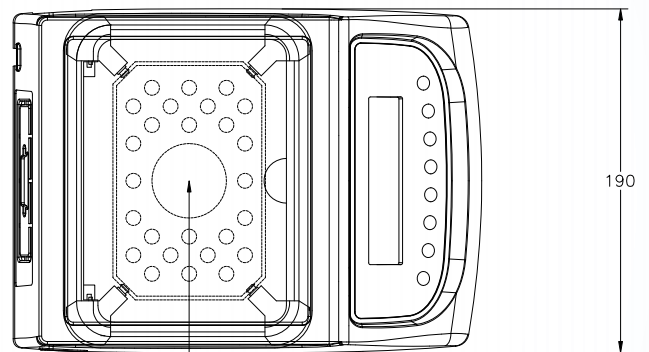
GOLD PURITY CHECKING BALANCE



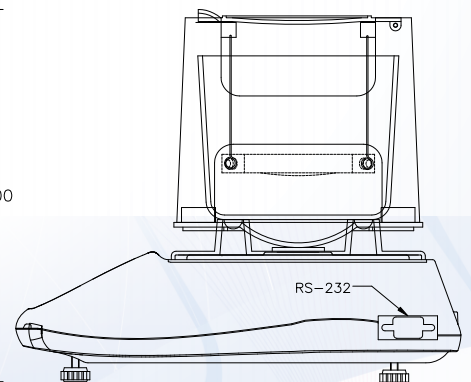
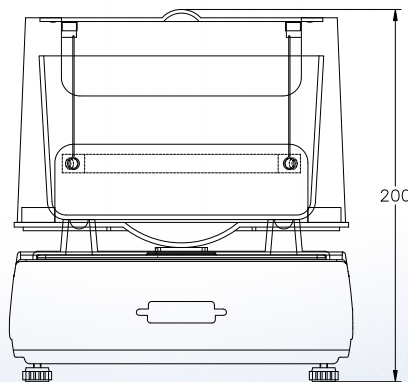
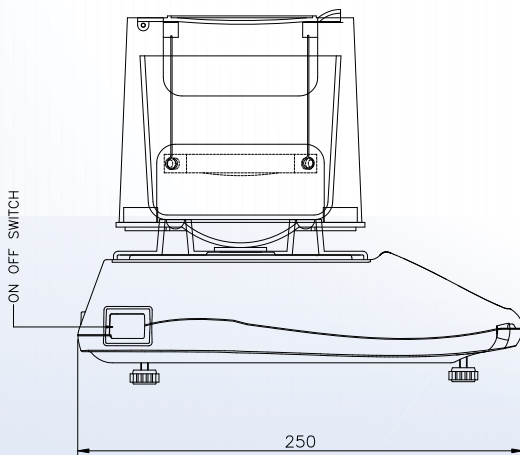
Features

- ◆ Measurement based on Archimedes' principle incorporating High Precision electronic weighing scale.
- ◆ Accurate, Reliable and non destructive testing method.
- ◆ Provision to enter water temperature for temperature compensation of density value.
- ◆ Display of gold purity in % as well as karat.
- ◆ Gold purity checking in gold-copper-silver, gold-silver, gold-copper alloys.
- ◆ Can be used to check other precious metals like platinum, palladium etc. by using mixture proportion function.
- ◆ RS-232 interface for printer / computer connection.
- ◆ Spacious tank for big ornaments, special design of tank to reduce buoyancy error.
- ◆ Hollow ornaments, ornaments inlaid with stones cannot be checked.

Model	CAH-323	CAH-603
Capacity	320 g	600 g
Accuracy	0.001 g	0.001 g
Density Accuracy	0.01 g/cc	0.01 g/cc



SS TRAY FOR SAMPLE HOLDER



CONTECH[®]
Instruments Ltd.
 AN ISO 9001, 14001 & OHSAS 18001 COMPANY
Where innovation never stops.....

301, Punit Indl. Premises, Turbhe Naka, Navi Mumbai - 400 705.
 Tel. :+91 22 6139 3000 (100 lines)
 Fax :+91 22 2761 8421
 E-mail : info@contechindia.in / sales@contechindia.in
 Website: www.contechindia.com

