

# CRANE SCALES

5kg to 20ton

(15, 20 ton)



## CRANE SCALES with Wireless Indicator

### Features :

- ♦ Wireless transmission maximum operating distance between the Scale and Indicator is 50 mtr.
- ♦ All specifications are same as standard crane scales (CCS) except there is no display on the scale and there is no remote keyboard.
- ♦ Power indication LED on the scale.
- ♦ Battery & charger for the loadcell & transmitter inside the scale.
- ♦ Weight display on the desktop indicator along with controls.
- ♦ RS-232 interface in the indicator (Optional).
- ♦ Indicator with optional battery backup.
- ♦ Date & time entry facility.
- ♦ Storage of weights in memory upto 100 samples.
- ♦ Display hold facility.

### Common Specifications :

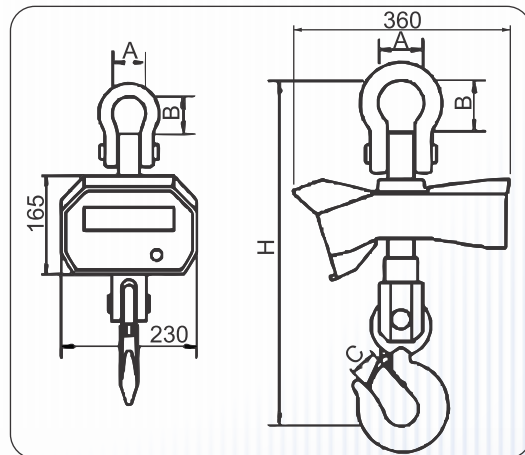
MODELS	CAPACITY	ACCURACY	DIMENSION				NET WT. (Kg)
			H	A	B	C	
CCS-15T5K	15 ton	5Kg	920	140	230	60	67
CCS-20T5K	20 ton	5Kg	980	140	230	70	75

Taring Range : Up to full capacity

Response time : 5 seconds

Power Req : 90-250V, 50/60Hz, 10 Watt

Operating Temperature : 10 to 45 deg C



All Specifications and designs are subject to change for improvement.



**CONTECH**<sup>®</sup>  
**Instruments Ltd.**  
AN ISO 9001,14001 & OHSAS 18001 COMPANY

Where innovation never stops.....

301, Punit Indl. Premises, Turbhe Naka, Navi Mumbai - 400 705.

Tel. :+91 22 6139 3000 (100 lines)

Fax :+91 22 2761 8421

E-mail : [info@contechindia.in](mailto:info@contechindia.in) / [sales@contechindia.in](mailto:sales@contechindia.in)

Website: [www.contechindia.com](http://www.contechindia.com)



State Of The Art Manufacturing Plant