

CRANE SCALES

500g to 10ton

(2, 3, 5, 10 ton)



CRANE SCALES with Wireless Indicator

Features :

- ♦ Wireless transmission maximum operating distance between the Scale and Indicator is 50 mtr.
- ♦ All specifications are same as standard crane scales (CCS) except there is no display on the scale and there is no remote keyboard.
- ♦ Power indication LED on the scale.
- ♦ Battery & charger for the loadcell & transmitter inside the scale.
- ♦ Weight display on the desktop indicator along with controls.
- ♦ RS-232 interface in the indicator (Optional).
- ♦ Indicator with optional battery backup.
- ♦ Date & time entry facility.
- ♦ Storage of weights in memory upto 100 samples.
- ♦ Display hold facility.

Common Specifications :

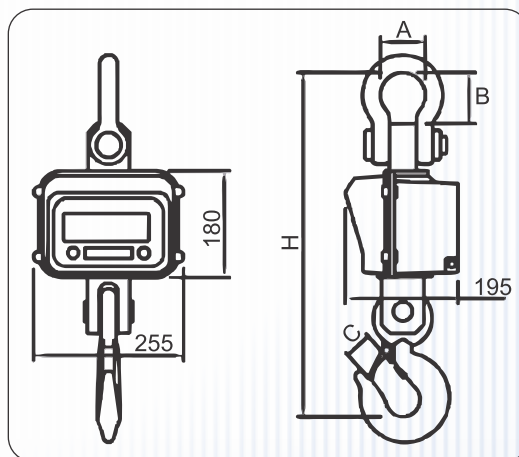
| MODELS | CAPACITY | ACCURACY | DIMENSION | | | | NET WT. (Kg) |
|-----------|----------|----------|-----------|----|-----|----|-----------------|
| | | | H | A | B | C | |
| CCS-2T500 | 2 ton | 500g | 465 | 56 | 65 | 25 | 12 |
| CCS-3T1K | 3 ton | 1Kg | 495 | 56 | 65 | 32 | 13 |
| CCS-5T2K | 5 ton | 2Kg | 595 | 72 | 90 | 36 | 18 |
| CCS-10T5K | 10 ton | 5Kg | 660 | 90 | 110 | 50 | 29 |

Taring Range : Up to full capacity

Response time : 5 seconds

Power Req : 90-250V, 50/60Hz, 10 Watt

Operating Temperature : 10 to 45 deg C



All Specifications and designs are subject to change for improvement.



CONTECH[®]
Instruments Ltd.
AN ISO 9001,14001 & OHSAS 18001 COMPANY

Where innovation never stops.....

301, Punit Indl. Premises, Turbhe Naka, Navi Mumbai - 400 705.

Tel. :+91 22 6139 3000 (100 lines)

Fax :+91 22 2761 8421

E-mail : info@contechindia.in / sales@contechindia.in

Website: www.contechindia.com



State Of The Art Manufacturing Plant