

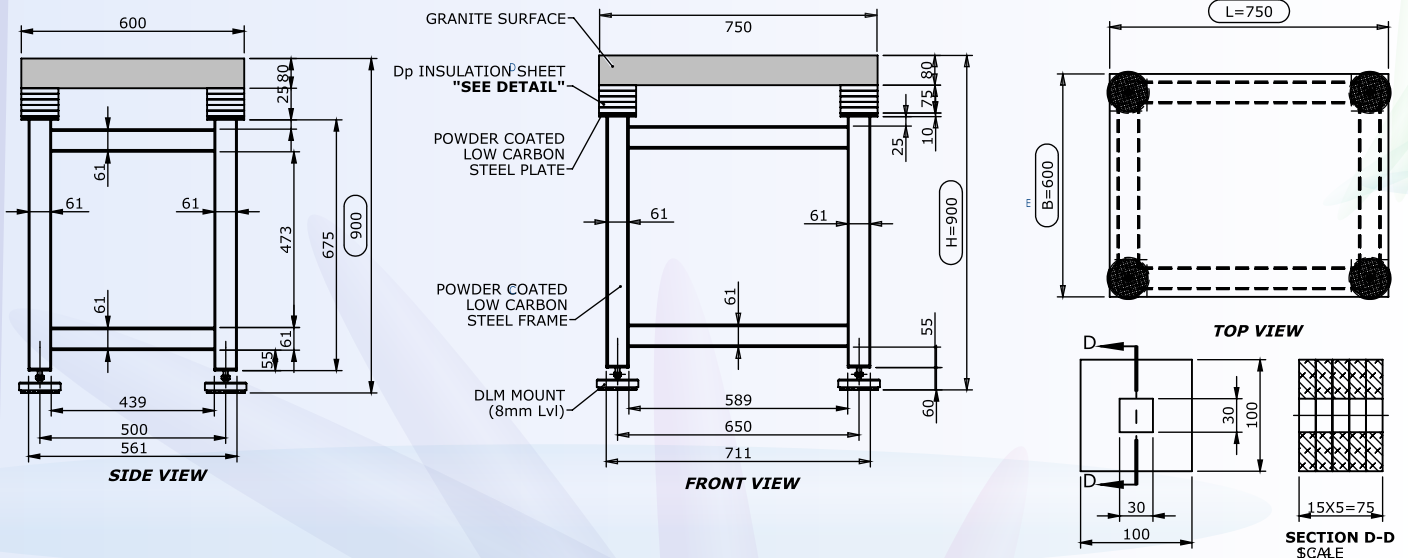
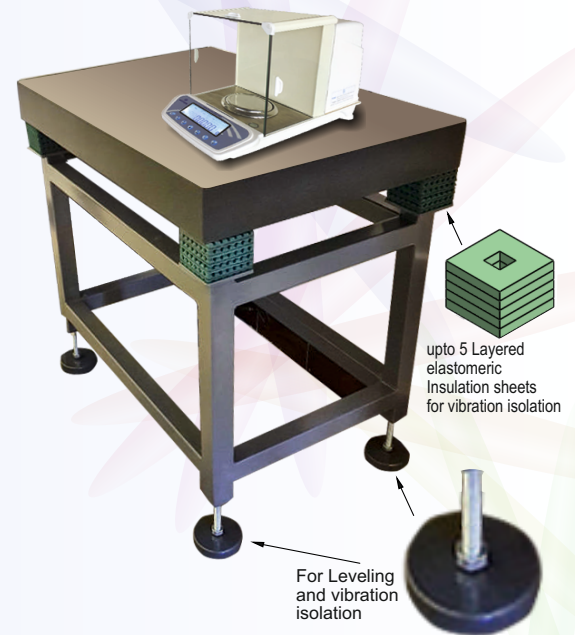
# Anti-Vibration Tables

Anti vibration table is ideal for R & D, testing & QC laboratories located in a setup subjected to high vibration due to operation of machines.

Anti vibration table is designed for placing analytical & lab balances used for high precision weighing.

Anti vibration table top is provided with granite surface plate with high accuracy finish.

Damping of vibration is provided at two locations, one below the granite top surface & second at the bottom leveling feet which can also help in proper leveling of the table.



## Features :

- ▷ Grade 1 accuracy finish - Granite surface plate gives precision of 20 Microns on the surface plate.
- ▷ The surface plate is totally isolated from all vibrations using 4 stacks of 5 layered insulation sheets.
- ▷ Vibration Isolator absorbs more than 90-95% vibrations experienced by the table.
- ▷ Leveling feet are provided at the bottom of the table for proper leveling of the table.
- ▷ Leveling feet have optional swivel and tilt feature to adjust to any surface slope.
- ▷ Vibration isolation platform is easy to use and offers a 4-5Hz horizontal natural frequency.